

Ruggedized Shaft encoder, Incremental

- Robust encoder with solid shaft
- Short-circuited protected outputs
- IP67 at housing, IP66 at shaft inlet



Encoder configuration

| | |
|----------------------|--------------------------|
| Type | RSI |
| Model | 503 Standard |
| Shaft type | Ø10 mm with partial flat |
| Flange type | Synchro flange (63-type) |
| Resolution | 5000 ppr |
| Power supply | 5 Vdc |
| Output signal | TTL |
| Connection type | PT connector 8-pin |
| Connecting direction | Radial |
| Number of channels | 6 |

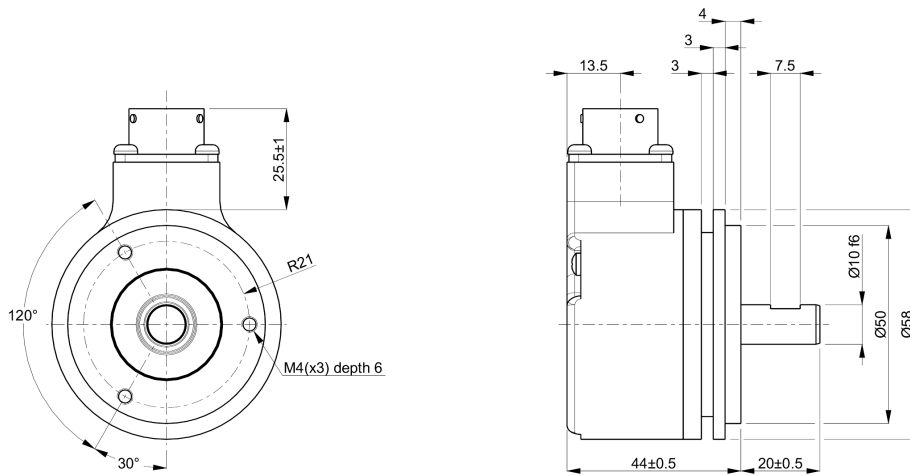
Mechanical data

| | |
|--------------------------------------|----------------------------|
| Operating temperature | -40 °C...+70 °C |
| Ingress protection class [IEC 60529] | IP67 (IP66 at shaft inlet) |
| Vibration [IEC 60068-2-6] | ≤ 300 m/s ² |
| Shock [IEC 60068-2-27] | ≤ 2000 m/s ² |
| Shaft load (axial/radial) | 50 N / 60 N |
| Rotational speed max | 6000 rpm |
| Shaft material | Stainless steel |
| Cover material | Aluminium |
| Weight | 300 g |

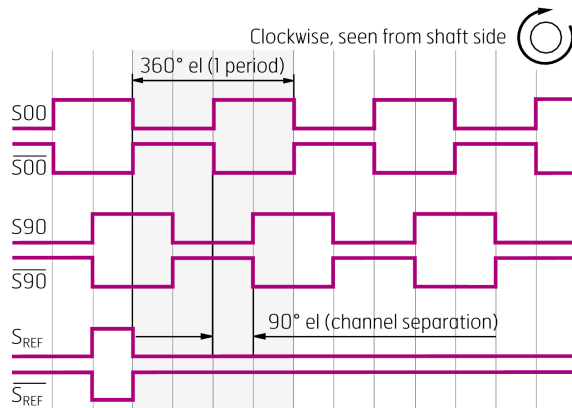
Electrical data

| | |
|-------------------------------|--------------------|
| Polarity protected | No |
| Short circuit protected | Yes |
| Current consumption | 45 mA (Max. 75 mA) |
| Incremental output load (max) | ± 20 mA |
| Output frequency max | 300 kHz |
| Cable length max | 50 m at 50 kHz |
| Channel separation | 90 °el ± 25 °el |
| Dividing error | ± 50 °el |

Dimensions

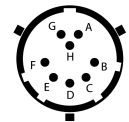


Output signal



Pin Configuration

| Function | Pin |
|---------------|-----|
| S90 | A |
| S90 inverted | B |
| S00 inverted | C |
| S00 | D |
| +EV | E |
| 0V | F |
| Sref | G |
| Sref inverted | H |



Order information

| | |
|-------------|-----------|
| Part number | 515429-02 |
|-------------|-----------|